

PIR EXTERIOR DOBLE ZONA

OMS-12FE

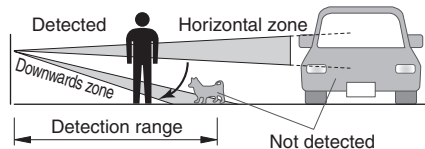
(Dual Zone : Detection Area up to 180 degree) **CE** 



El sistema DUAL ZONE reduce las falsas alarmas, uso mas confiable

DUAL ZONE system

This sensor is equipped with a DUAL ZONE system which initiates an alarm only when detection occurs in both the horizontal and downward zones simultaneously. This prevents false alarms from distant automobiles or from small animals.



180 degree wide angle coverage

180 degree coverage detection is possible.
90 degree zone either to the left or right can be disabled.

Rain Proof Housing IP54

Rain-proof structure facilitates outdoor installation.
Various mounting position such as wall and pole can be chosen.

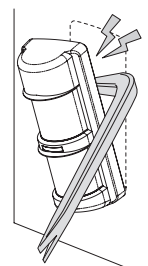
RoHS certified compliant



Environment friendly. Free from Lead, Mercury, Cadmium, Hexavalent chromium, Polybrominated biphenyl, Polybrominated diphenyl ether.

Back Tamper

Use of the provided back tamper rubber enables detection of interference with the sensor, such as attempts to remove it from the mounting surface.



Sensitivity adjustment

Sensitivity can be adjusted between 30% and 170%.

Various Applications

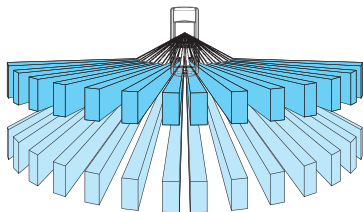
Residential area. Construction Sites. Retail shop Material yard etc.



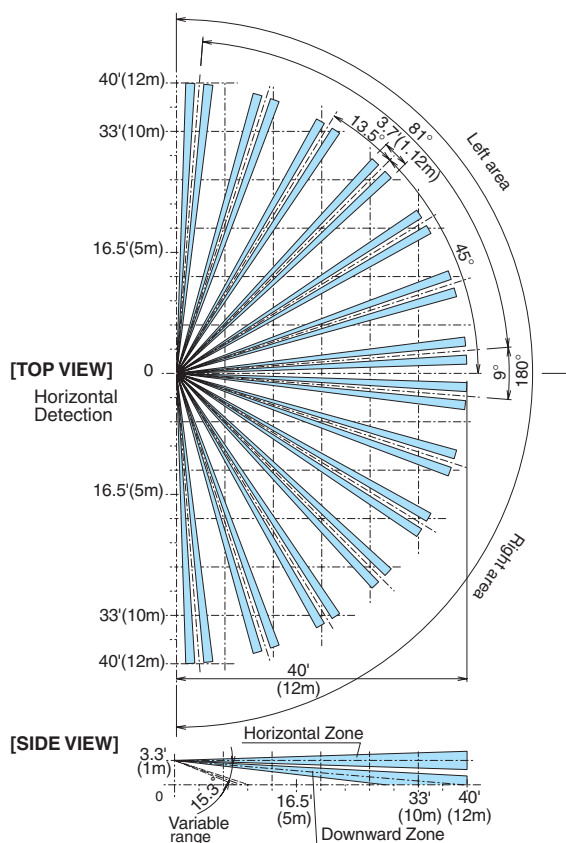
**ROSARIO
SEGURIDAD**

DUAL ZONE OUTDOOR PIR

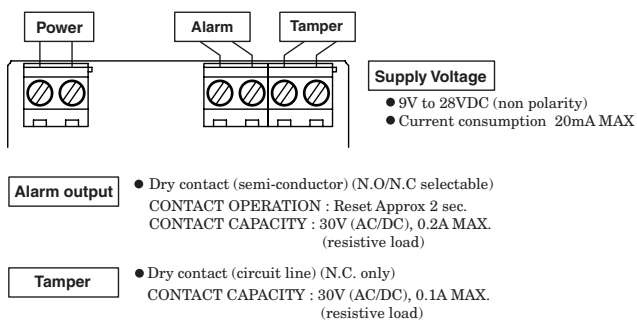
COVERAGE PATTERN



DETECTION AREA



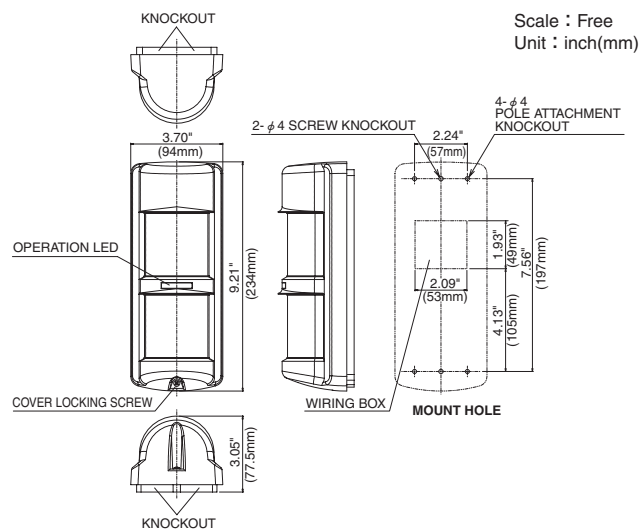
TERMINAL CONFIGURATION



SPECIFICATIONS

Model	OMS-12FE
Detection system	Passive infrared
Coverage	When horizontal detection Angle : 180°
	Detection distance : 40' (12m)
	Horizontal zone : 14zones Downward zone : 14zones
Coverage adjustment	Horizontal : L/R 90° (selectable) Detection distance : 10'~40' (3m~12m) (By adjusting vertical angle of downward curtain)
Supply voltage	9 to 28V DC (non-polarity)
Current consumption	20mA MAX.
Alarm output	Dry contact relay output N.C./N.O. selectable * Contact capacity : 30V (AC/DC), 0.2A MAX. (Resistive load)
	* Contact operation : Detection time(2sec)
Tamper output	Dry contact relay output N.C.
	* Contact capacity : 30V (AC/DC), 0.1A MAX. (Resistive load)
Operation LED	Red LED Blinking When Initialising Lighting at alarm (option to disable)
Counts selectable switch	1/2/3/4 times (with a switch)
Sensitivity adjustment	* Approx. 30% -Approx. 170% (By Potentiometer)
Connection	Terminals
Ambient temperature	-4°F to + 122°F (-20°C to + 50°C)
Mounting position	Indoor / Outdoor
Ingress protection	IP 54 (Wall Mount)
Weight	16.5oz (470g)
Appearance	Body : AES resin Lens : PE resin
Optional	Pole attachment : BP-32

EXTERNAL DIMENSIONS



OPTIONAL

- Pole attachment (BP-32)



Please note : This sensor is designed to detect intrusion and to initiate an alarm; it is not a burglary or a crime preventing device. TAKEX is not responsible for damage, injury or losses caused by accident, theft, Acts of God (including inductive surge by lightning), abuse, misuse, abnormal usage, faulty installation or improper maintenance.

TAKEX



**ROSARIO
SEGURIDAD**